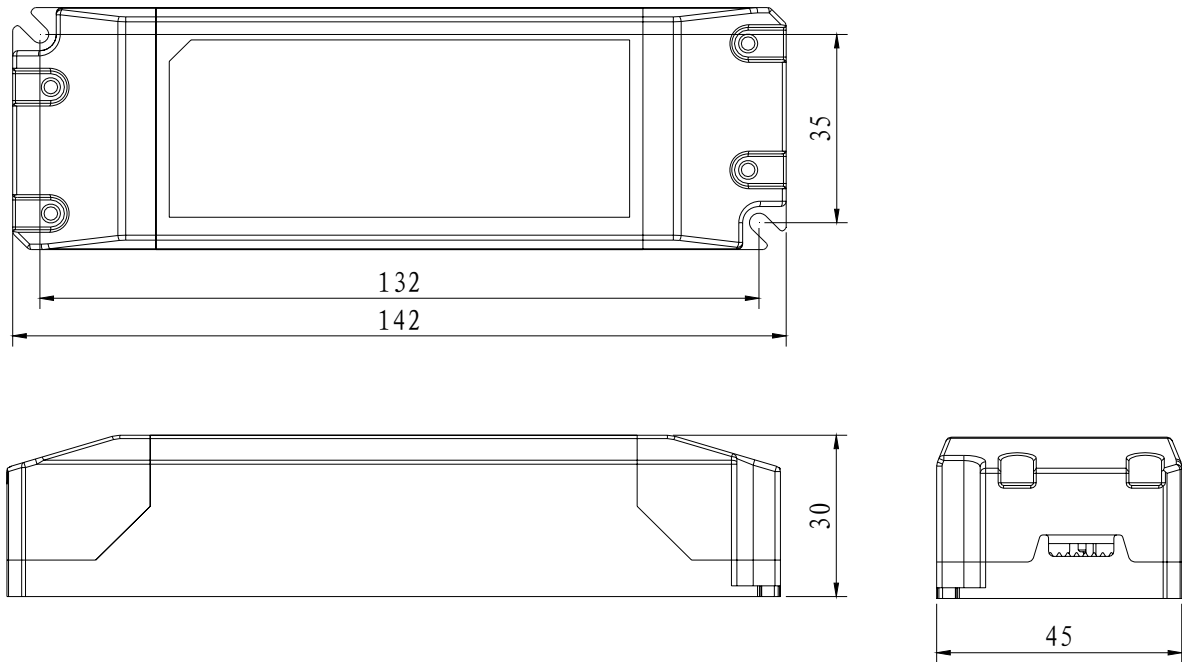


- ▲Constant current design
- ▲Input Voltage 220-240VAC
- ▲Protections: short circuit/over load/over voltage
- ▲IP20 Ingress protection
- ▲Power Factor ≥ 0.9
- ▲Efficiency $>80\%$
- ▲Class II, SELV, independent
- ▲DALI dimmable
- ▲Current ADJ. by dip-switch
- ▲5 years warranty

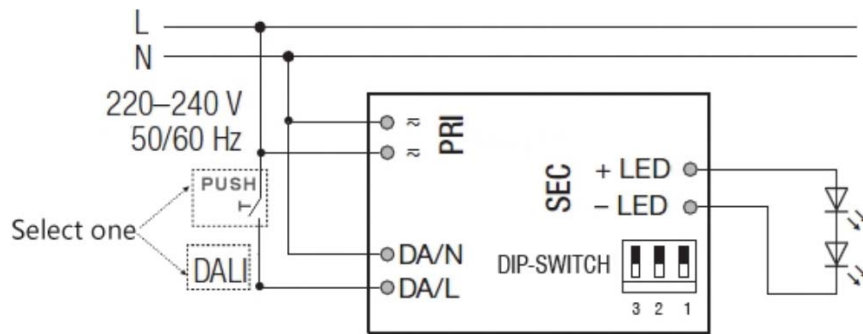

SELV     
SPECIFICATION

Input	Rated input voltage	220-240VAC																																																																											
	Range of input voltage	176-264VAC																																																																											
	Frequency(Hz)	50/60 Hz																																																																											
	Power Factor	$\geq 0.9@220-240VAC$																																																																											
	Input Current max	0.14A MAX. @Full Load,176VAC																																																																											
	Start-up time	<1S																																																																											
	Unload Power Consumption	$\leq 0.5W$																																																																											
	Inrush Current	15A Max.@ 240Vac, Full Load.																																																																											
	THD	8% Typ. @ 240Vac, Full Load																																																																											
	Leakage Current	$< 0.5mA(240VAC)$																																																																											
Output	Constant Current Max.	350mA		500mA		700mA																																																																							
	Unload voltage Max.	54 VDC		48VDC		36 VDC																																																																							
	Voltage Range(VDC)	9-46VDC		6-32VDC		4.5-23VDC																																																																							
	Rated power	16.1W Max.		16W Max.		16.1W Max.																																																																							
	Current ADJ. Range by dip-switch	<table border="1" style="font-size: small;"> <thead> <tr> <th>Vo</th> <th>Po</th> <th>Io</th> <th>1</th> <th>2</th> </tr> </thead> <tbody> <tr> <td>9-46VDC</td> <td>8.3W</td> <td>180mA</td> <td>--</td> <td>--</td> </tr> <tr> <td>9-46VDC</td> <td>13.8W</td> <td>300mA</td> <td>ON</td> <td>--</td> </tr> <tr> <td>9-46VDC</td> <td>16.1W</td> <td>350mA</td> <td>ON</td> <td>ON</td> </tr> </tbody> </table>		Vo	Po	Io	1	2	9-46VDC	8.3W	180mA	--	--	9-46VDC	13.8W	300mA	ON	--	9-46VDC	16.1W	350mA	ON	ON	<table border="1" style="font-size: small;"> <thead> <tr> <th>Vo</th> <th>Po</th> <th>Io</th> <th>1</th> <th>2</th> </tr> </thead> <tbody> <tr> <td>6-32VDC</td> <td>11.2W</td> <td>350mA</td> <td>--</td> <td>--</td> </tr> <tr> <td>6-32VDC</td> <td>12.8W</td> <td>400mA</td> <td>ON</td> <td>--</td> </tr> <tr> <td>6-32VDC</td> <td>14.4W</td> <td>450mA</td> <td>--</td> <td>ON</td> </tr> <tr> <td>6-32VDC</td> <td>16W</td> <td>500mA</td> <td>ON</td> <td>ON</td> </tr> </tbody> </table>		Vo	Po	Io	1	2	6-32VDC	11.2W	350mA	--	--	6-32VDC	12.8W	400mA	ON	--	6-32VDC	14.4W	450mA	--	ON	6-32VDC	16W	500mA	ON	ON	<table border="1" style="font-size: small;"> <thead> <tr> <th>Vo</th> <th>Po</th> <th>Io</th> <th>1</th> <th>2</th> </tr> </thead> <tbody> <tr> <td>4.5-23VDC</td> <td>12.7W</td> <td>550mA</td> <td>--</td> <td>--</td> </tr> <tr> <td>4.5-23VDC</td> <td>13.8W</td> <td>600mA</td> <td>ON</td> <td>--</td> </tr> <tr> <td>4.5-23VDC</td> <td>15W</td> <td>650mA</td> <td>--</td> <td>ON</td> </tr> <tr> <td>4.5-23VDC</td> <td>16.1W</td> <td>700mA</td> <td>ON</td> <td>ON</td> </tr> </tbody> </table>		Vo	Po	Io	1	2	4.5-23VDC	12.7W	550mA	--	--	4.5-23VDC	13.8W	600mA	ON	--	4.5-23VDC	15W	650mA	--	ON	4.5-23VDC	16.1W	700mA	ON	ON
	Vo	Po	Io	1	2																																																																								
	9-46VDC	8.3W	180mA	--	--																																																																								
	9-46VDC	13.8W	300mA	ON	--																																																																								
	9-46VDC	16.1W	350mA	ON	ON																																																																								
	Vo	Po	Io	1	2																																																																								
6-32VDC	11.2W	350mA	--	--																																																																									
6-32VDC	12.8W	400mA	ON	--																																																																									
6-32VDC	14.4W	450mA	--	ON																																																																									
6-32VDC	16W	500mA	ON	ON																																																																									
Vo	Po	Io	1	2																																																																									
4.5-23VDC	12.7W	550mA	--	--																																																																									
4.5-23VDC	13.8W	600mA	ON	--																																																																									
4.5-23VDC	15W	650mA	--	ON																																																																									
4.5-23VDC	16.1W	700mA	ON	ON																																																																									
Current Accuracy	$\pm 5\%$																																																																												
Voltage Regulation	$\pm 5\%$ @Full Load																																																																												
Load Regulation	$\leq 5\%$																																																																												
Hold-up Time	1s max.@Full Load																																																																												
Ripple& Noise *Note.2	$\leq 21mAp-p@Full Load,240VAC$		$\leq 30mAp-p@Full Load,240VAC$		$\leq 42mAp-p@Full Load,240VAC$																																																																								
Efficiency(Typ.)	$\geq 80\%$																																																																												
Dimming	Dimmable	YES																																																																											
	Dimming mode	DALI																																																																											
	Dimming current range	2%~100%																																																																											
Protection	Over Load Protection	105-120%																																																																											
		Protection type: Auto Resume																																																																											
	Over Voltage Protection	$> 54VDC$		$> 48VDC$		$> 36VDC$																																																																							
		Protection type: Auto Resume																																																																											
	Short circuit Protection																																																																												
	Protection type: Auto Resume																																																																												
	Over Temperature protection																																																																												
	NA																																																																												
Environment	Operating Temperature	$-20^{\circ}C \dots +50^{\circ}C$																																																																											
	tc	$75^{\circ}C$																																																																											
	Storage Temperature	$-25^{\circ}C \dots +60^{\circ}C$																																																																											
	Humidity	20%-95%RH																																																																											
	Life time	$> 30,000h @50^{\circ}C$																																																																											
Others	Dimension	142X45X30(LXWXH)mm																																																																											
Safety & EMC	Safety standards	EN 61347-1; EN61347-2-13;																																																																											
	Withstand voltage	Input-Output: 3750V/5mA/1min																																																																											
	Isolation resistance	Input-Output: $\geq 4M\Omega@500VDC$																																																																											
	EMI	EN55015; EN61000-3-2 Class C; EN61000-3-3																																																																											
	EMS	EN 61547; EN 61000-4-2 — Performance Criteria B; EN 61000-4-5 —1000V; Performance Criteria C																																																																											
Note	1.All parameters NOT specially mentioned are measured at 240VAC input , full load and $25^{\circ}C$ of ambient temperature. 2.Ripple & Noise are measured at 20MHz of bandwidth by using a 300mm twisted pair-wire terminated with a 0.1uF & 47 uF parallel capacitor.																																																																												

MECHANICAL SPECIFICATIONS



Connection diagram

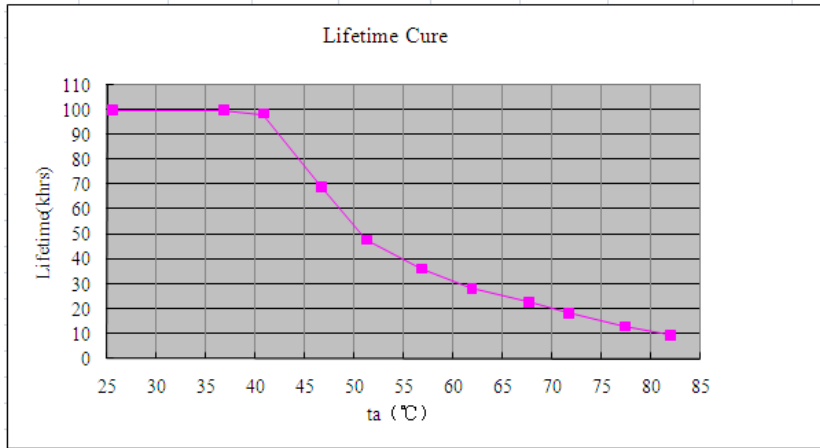


Model list

No.	Model number	Input			Output			
		Voltage (VAC)	Max.Current (A)	Frequency (Hz)	Constant current (mA)	Normal working voltage (VDC)	No load working voltage (VDC)	Max.Power(W)
1	FLS-16-350 DALI LA	220-240	0.14	50/60	180	9-46	54	8.3
		220-240	0.14	50/60	300	9-46	54	13.8
		220-240	0.14	50/60	350	9-46	54	16.1
2	FLS-16-500 DALI LA	220-240	0.14	50/60	350	6-32	48	11.2
		220-240	0.14	50/60	400	6-32	48	12.8
		220-240	0.14	50/60	450	6-32	48	14.4
		220-240	0.14	50/60	500	6-32	48	16
3	FLS-16-700 DALI LA	220-240	0.14	50/60	550	4.5-23	36	12.7
		220-240	0.14	50/60	600	4.5-23	36	13.8
		220-240	0.14	50/60	650	4.5-23	36	15
		220-240	0.14	50/60	700	4.5-23	36	16.1

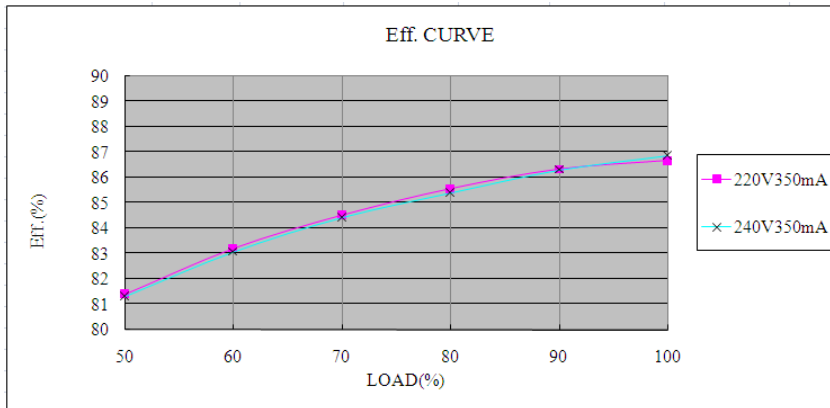
Lifetime vs. Ambient Temperature Curve

FLS-16-350 DALI LA, $I_o=350\text{mA}$



Efficiency vs. Load

FLS-16-350 DALI LA, $I_o=350\text{mA}$



Power Factor Characteristics

FLS-16-350 DALI LA, $I_o=350\text{mA}$

